

SIRIUS
Schütz, 4-polig
 4-pole-contactor
 Contacteur 4 poles
 Contactor terapolar

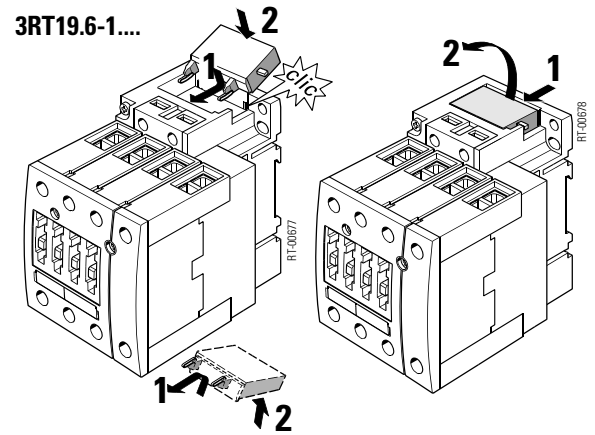
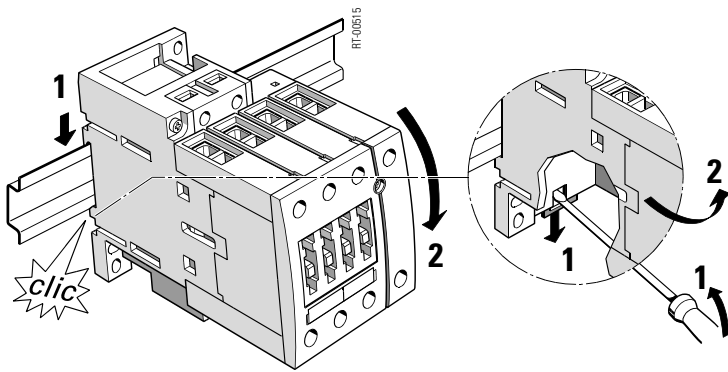
3RT133
3RT1535



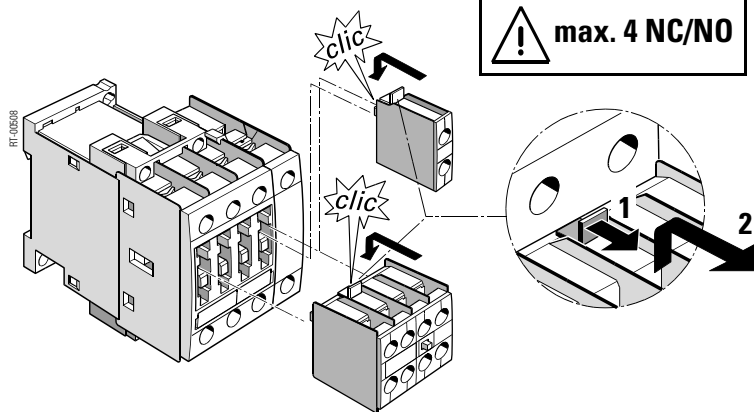
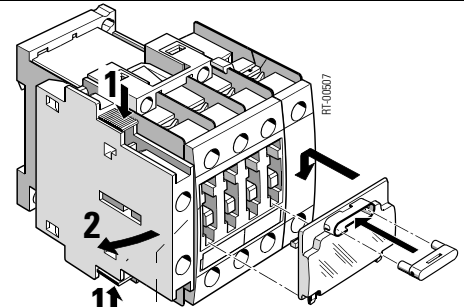
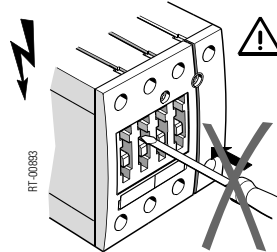
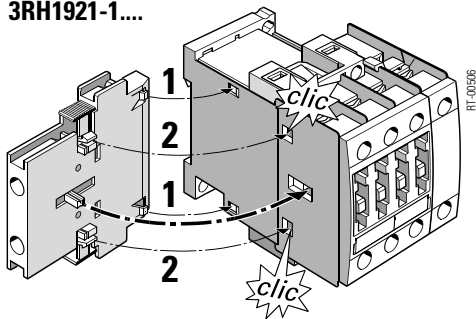
EN 60947, IEC 60947

Montageanleitung/Assembly Instructions

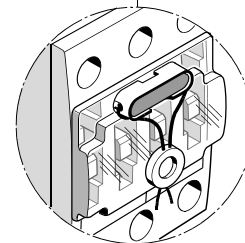
Bestell-Nr./Order No.: 3ZX1012-0RT13-2BA1



3RH1921-1....



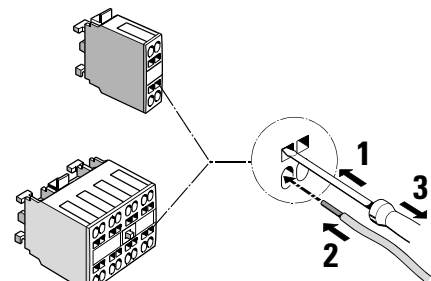
max. 4 NC/NO



max. 4 NC/NO		
4	1	2

	A1/A2; NO/NC			L1 L2 L3 L4 T1 T2 T3 T4			
	3RH1921-1	3RH1921-2					
 Ø 5 ... 6 mm / PZZ	0,8 ... 1,2 Nm 7 to 10.3 LB.IN	---	 Ø 5 ... 6 mm / PZZ	3 ... 4,5 Nm 27 to 40 LB.IN			
 10	2 x 0,5 ... 1,5 mm ² 2 x 0,75 ... 2,5 mm ²	2 x 0,5 ... 2,5 mm ²	 13	2 x 0,75 ... 16 mm ²			
 10	2 x 0,5 ... 2,5 mm ²	2 x 0,5 ... 1,5 mm ²	 13	2 x 0,75 ... 16 mm ² 1 x 0,75 ... 25 mm ²			
---	---	---	 13	2 x 0,75 ... 25 mm ² 1 x 0,75 ... 35 mm ²			
AWG	2 x 18 to 14	2 x 18 to 14	AWG	2 x 18 to 3 1 x 18 to 2			

3RH1921-2....



3RT1336

